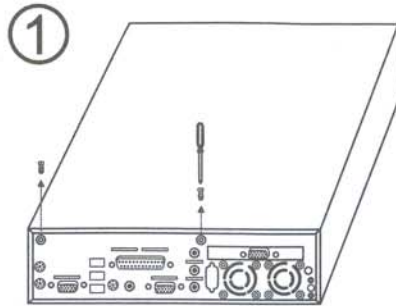
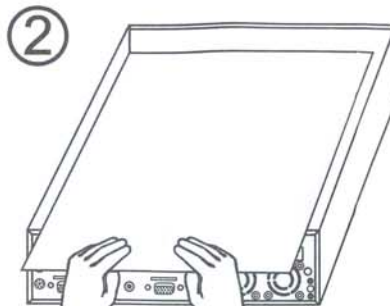




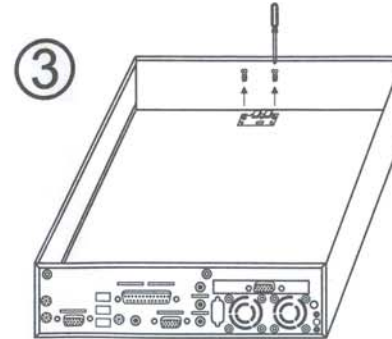
# YY-C62x Manual



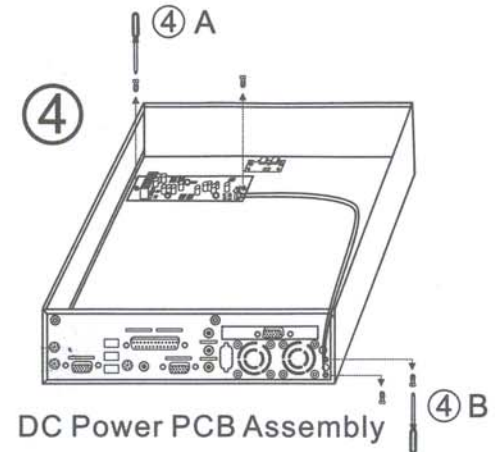
1 Remove Top Cover  
2 Screws



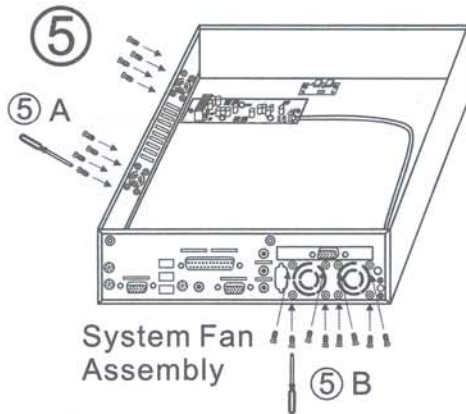
2 OPEN TOP COVER



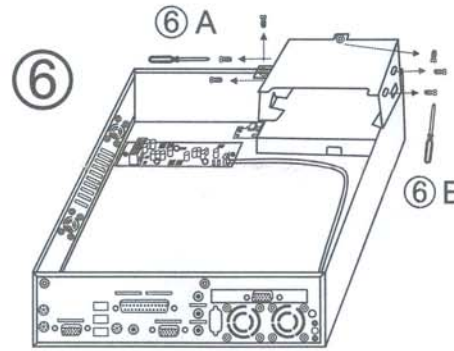
3 USB Module Assembly



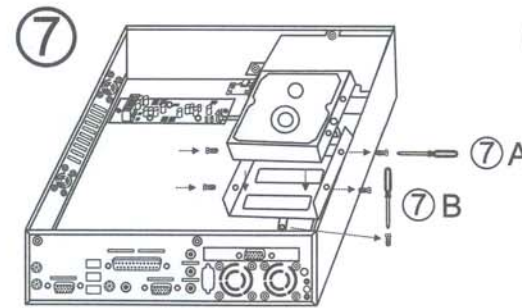
4 DC Power PCB Assembly



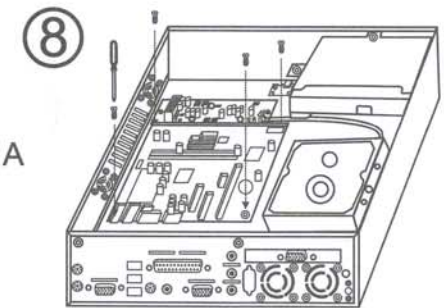
5 System Fan  
Assembly



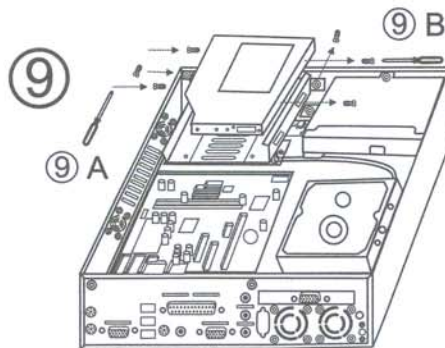
6 FDD, Card Reader or  
2.5" HDD Assembly



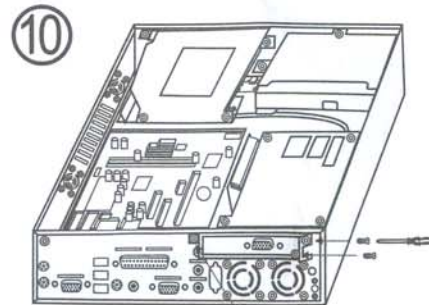
7 3.5" HDD Assembly



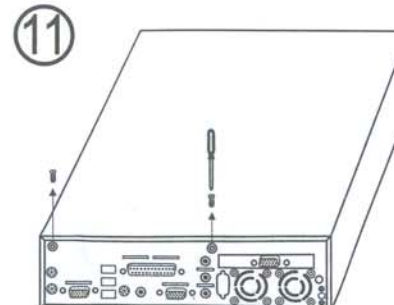
8 M/B Assembly



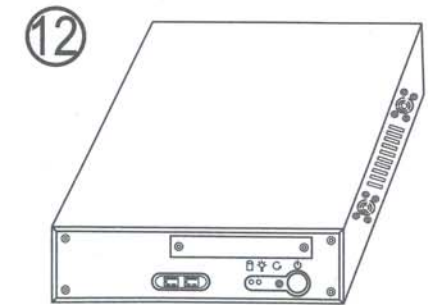
9 Slim-ODD Assembly



10 Insert Riser Card and  
Fix PCI Card



11 System Complete



12 THE END